

Type 320 Quick-Connect Diaphragm Seal



TYPE 320

PRODUCT FEATURES

- 316L stainless steel diaphragm welded to a 316L stainless steel top housing.
- Fill/bleed connection
- Top housing and pressure instrument removable from process.
- Compatible with Tri-Clover and Cherry Burrell S line connections

PRODUCT INFORMATION

- The 1½"-Type 320 is for use on most 3½" and smaller size gauges; the 2"-Type 320 can be attached to gauges up through 4½" size.
- Quick-connect clamps, gaskets or bottom housings are not supplied.
- Can be used with pressure gauges, switches and transducers.
- Maximum operating pressure and temperature are determined by the gaskets and clamping devices, used in the piping system, by the instrument range and by the fill fluid.

The Ashcroft® Type 320 quick-connect diaphragm seal is designed especially for those applications that require ease of dismantling and re-assembly and do not require a 3A standard rating in accordance with sanitary standard 74-03. Typical applications include the pharmaceutical, dairy, food processing, bio-technology, and filtration markets. Also included are breweries, distilleries, wineries and citrus juice production plants.

SPECIFICATIONS

Model Number: Type 320

Process Connection Size: 1½", 2"

Instrument Connection Size: ¼", ½ NPT

Diaphragm Material: 316L SS

Bottom Housing Materials: 316L SS

Filling Fluid: Glycerin, Silicone, Halocarbon, Syltherm

Type 320 Quick-Connect Diaphragm Seal

Table A – Process Conn. (Tri-Clamp)

Process Connection	Size	Code
Tri-Clamp	1½	15
Tri-Clamp	2	20

Table B – Type

Description	Code
Quick-Connect Diaphragm Seal	320

Table C – Diaphragm Material

Material	Code
316L SS	S

Table D – Housing Materials

Bottom	Code	Top ⁽¹⁾
Not Required	X	316L SS

(1) Top housing material is 316L SS (standard).

Table E – Instrument Connection

Instrument Connection	Size	Code
NPT	¼	02T
NPT	½	04T

Table F – Filling Fluid

Fill	Service	Connection to Instrument	Temperature Range °F	Code
Glycerin	Pressure	Direct Only	0/400	CG
Silicone	Pressure/Vacuum	Direct or Flexible Line	-40/600	CK
Halocarbon	Pressure/Vacuum in presence of strong oxidizing agent	Direct or Flexible Line	-70/300	CF
Syltherm	Pressure	Direct or Flexible Line	-40/750	HA

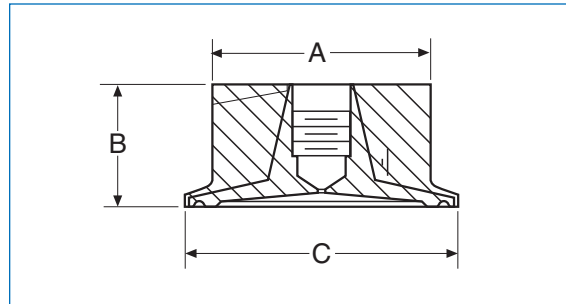
Monel is a registered trademark of Huntington Alloys, Inc.
 Hastelloy is a registered trademark of Cabot Corp.
 Halocarbon is a registered trademark of Halocarbon Products
 GYLON 3510 is a registered trademark of Garlock Inc.

HOW TO ORDER:

- From Table A...select PROCESS CONNECTION, TriClamp conn 1½ (15 code), 2" (20 code)
- From Table B...select TYPE NUMBER, Quick-connect Diaphragm Seal (320 code)
- From Table C...select DIAPHRAGM MATERIAL. (e.g., 316L SS (code S))
- From Table D...select HOUSING MATERIAL. (e.g., 316L SS (code S))
- From Table E...select INSTRUMENT CONNECTION size. (e.g., ¼ NPT—code 02T)
- From Table F...select FILLING FLUID, if diaphragm seal will be attached to instrument. (e.g., Glycerin—code CG)

Coded order: 15-320SS-02T-CG

TYPE 320 Quick-Connect



Type 320 Quick Connect – ¼, ½ NPT

Size	A		B		C	
	in	mm	in	mm	in	mm
1½"	12.50	(42)	.875	(22)	2	(50)
2"	2	(51)	1.125	(29)	2.50	(63)