

## Type 330 All-Welded Flush Mini Diaphragm Seal



TYPE 330

### PRODUCT FEATURES

- All welded metal construction, prevents leakage of process media
- Flush design eliminates pockets that could cause clogging or build-up of process media
- Diaphragm area easy to clean up
- Provided with a 1" MNPT process connection
- Compact size to fit space-restricted areas
- No gaskets or bolts
- For use on pressure gauges up to 3½" from 60 to 3000 psi
- Top housing and diaphragm material 316L stainless steel
- ¼ & ½ NPT instrument connection

### SPECIFICATIONS

<b>Model Number:</b>	Type 330
<b>Process Connection Size:</b>	1"
<b>Instrument Connection Size:</b>	¼, ½ NPT
<b>Diaphragm Material:</b>	316L SS
<b>Housing Materials:</b>	316L SS
<b>Filling Fluid:</b>	Glycerin, Silicone, Halocarbon, Syltherm

## Type 330 All-Welded Flush Mini Diaphragm Seal

**Table A – Process Connection**

Process Connection	Size	Code
Threaded – male NPT*	1	08

**Table B – Type**

Description	Code
All-welded flush mini-seal	330

**Table C – Diaphragm Materials**

Materials	Code
316L stainless steel	S

**Table D – Housing Materials**

Housing Material	Code
316L SS	S

**Table E – Instrument Connection**

Instrument Connection	Size	Code
Threaded – female NPT	1/4	02T
Threaded – female NPT	1/2	04T

**Table F – Filling Fluid**

Fill	Service	Connection to Instrument	Temperature Range °F	Code
Glycerin	Pressure	Direct Only	0/400	CG
Silicone	Pressure/Vacuum	Direct or Flexible Line	-40/600	CK
Halocarbon	Pressure/Vacuum in presence of strong oxidizing agent	Direct or Flexible Line	-70/300	CF
Syltherm	Pressure	Direct or Flexible Line	-40/750	HA

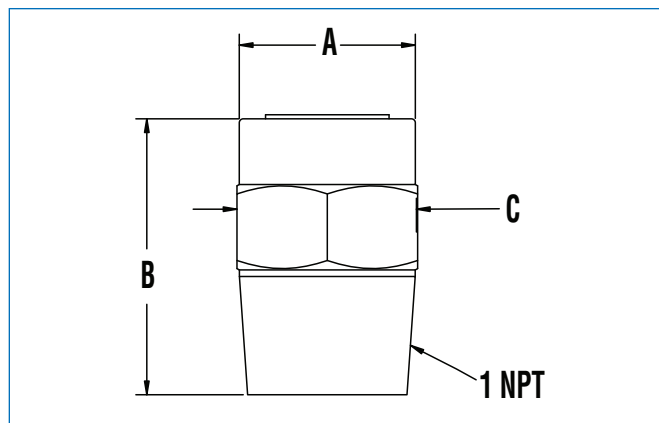
Monel is a registered trademark of Huntington Alloys, Inc.  
Hastelloy is a registered trademark of Cabot Corp.  
Halocarbon is a registered trademark of Halocarbon Products  
GYLON 3510 is a registered trademark of Garlock Inc.

### HOW TO ORDER:

1. From Table A... select PROCESS CONNECTION (e.g., 1/4" process code 25)
2. From Table B... select TYPE (330)
3. From Table C... select DIAPHRAGM MATERIAL. (e.g., 316L stainless steel–code S)
4. From Table D... select HOUSING MATERIAL. (e.g., stainless steel–code S)
5. From Table E... select INSTRUMENT CONNECTION size. (e.g., 1/4 NPT–code 02T)
6. From Table F... select FILLING FLUID, if diaphragm seal will be attached to instrument. (e.g., Glycerin–code CG)

Coded order: 25-330SS-02T-CG

### Dimensions



Type 330 All-Welded Flush Mini-Seal 1/4, 1/2 NPT

Size	A		B		C	
	in	mm	in	mm	in	mm
1 1/2"	1 11/32	(34)	2 3/64	(54)	1 3/8	(35)